



RS1A THRU RS1M

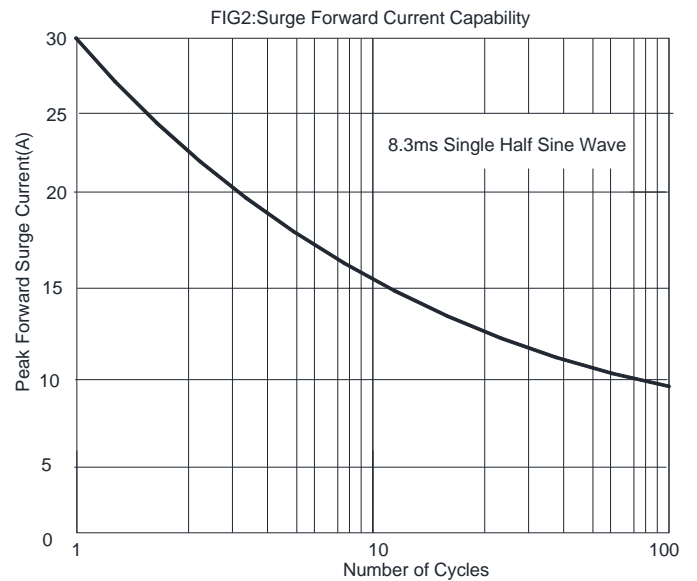
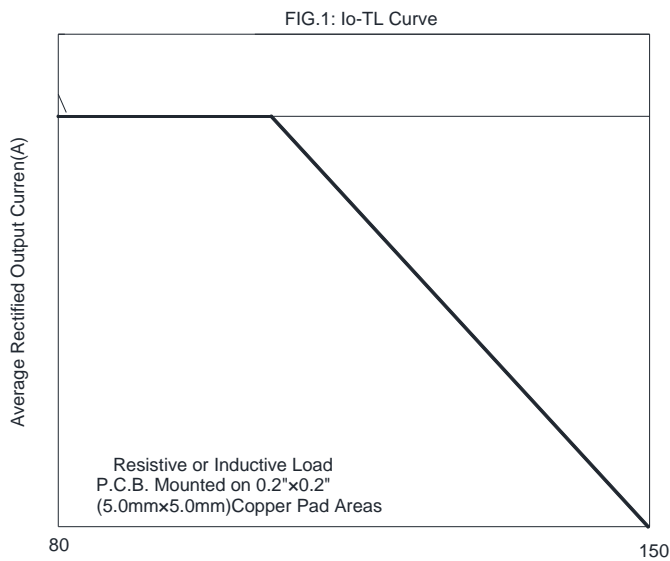
Thermal Characteristics (T_a=25 Unless otherwise specified)

PARAMETER	SYMBOL	UNIT	RS1A	RS1B	RS1D	RS1G	RS1J	RS1K	RS1M
Typical Thermal Resistance	R J-A	/W	75 ⁽¹⁾						
	R J-L		35 ⁽¹⁾						
	R J-C		20 ⁽¹⁾						

Note

(1) Thermal resistance from junction to ambient and from junction to lead mounted on P.C.B. with 0.2" x 0.2" (5.0 mm x 5.0 mm) copper pad areas

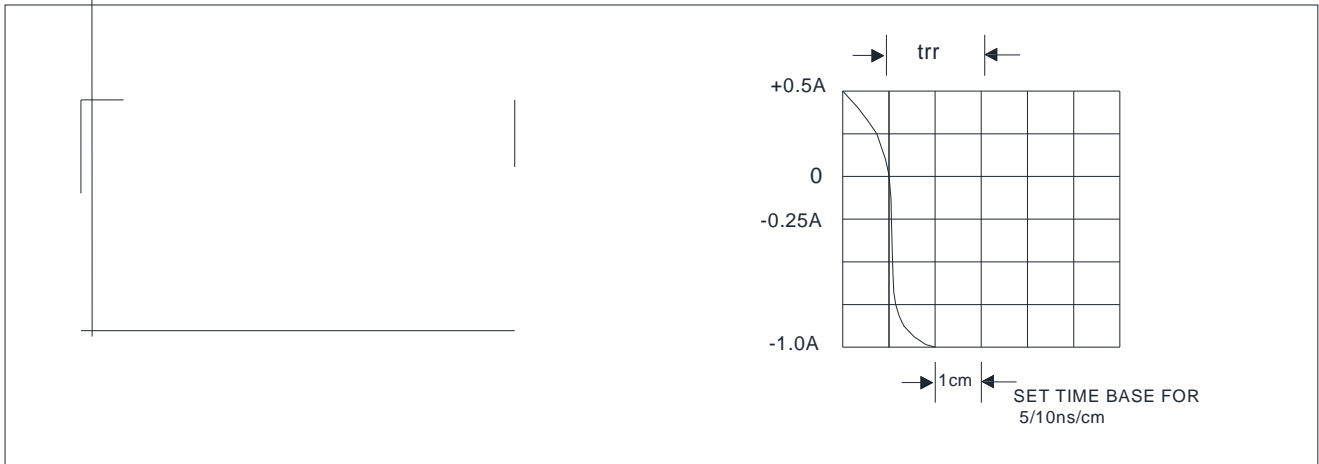
Characteristics (Typical)





RS1A THRU RS1M

FIG.5: Diagram of circuit and Testing wave form of reverse recovery time



Ordering Information (Example)

PREFERRED P/N	PACKAGE CODE	UNIT WEIGHT(g)	MINIMUM PACKAGE(pcs)	INNER BOX QUANTITY(pcs)	OUTER CARTON QUANTITY(pcs)	DELIVERY MODE
RS1A-RS1M	F1	Approximate 0.059	5000	/	80000	13" reel
RS1A-RS1M	F2	Approximate 0.059	7500	/	120000	13" reel
RS1A-RS1M	F3	Approximate 0.059	7500	/	60000	13" reel
RS1A-RS1M	F4	Approximate 0.059	1800	14400	57600	7" reel
RS1A-RS1M	F5	Approximate 0.059	2000	16000	64000	7" reel
RS1A-RS1M	F6	Approximate 0.059	5000	/	100000	13" reel

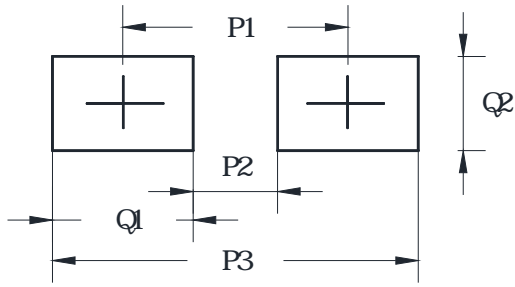
Outline Dimensions

DO-214AC(SMA)		
Dim	Min	Max
A	1.25	1.58
B	2.40	2.83
C	4.00	4.75
D	1.90	2.30
E	4.93	5.28
F	0.76	1.41
G	0.05	0.20
H	0.15	0.31
I	1.70	2.10



RS1A THRU RS1M

Suggested Pad Layout



DO-214AC(SMA)	
Dim	Millimeters
P1	4.00
P2	1.50
P3	6.50
Q1	2.50
Q2	1.70



Disclaimer

The information presented in this document is for reference only. Yangzhou Yangjie Electronic Technology Co., Ltd. reserves the right to make changes without notice for the specification of the products displayed herein to improve reliability, function or design or otherwise.

The product listed herein is designed to be used with ordinary electronic equipment or devices, and not designed to be used with equipment or devices which require high level of reliability and the malfunction of which would directly endanger human life (such as medical instruments, transportation equipment, aerospace machinery, nuclear-reactor controllers, fuel controllers and other safety devices), Yangjie or anyone on its behalf, assumes no responsibility or liability for any damages resulting from such improper use of sale.

This publication supersedes & replaces all information previously supplied. For additional information, please visit our website [http:// www.21yangjie.com/](http://www.21yangjie.com/), or consult your nearest Yangjie's sales office for further a